

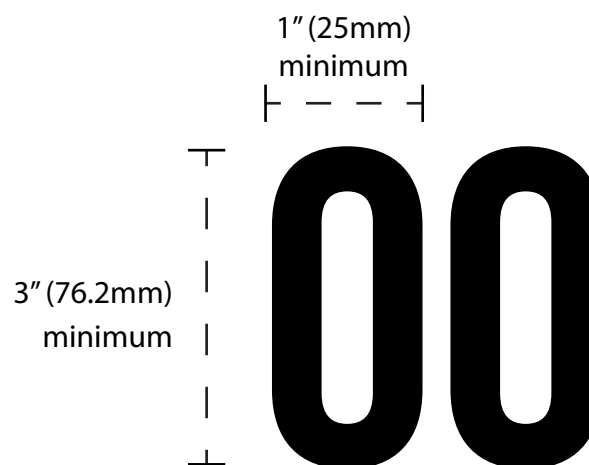
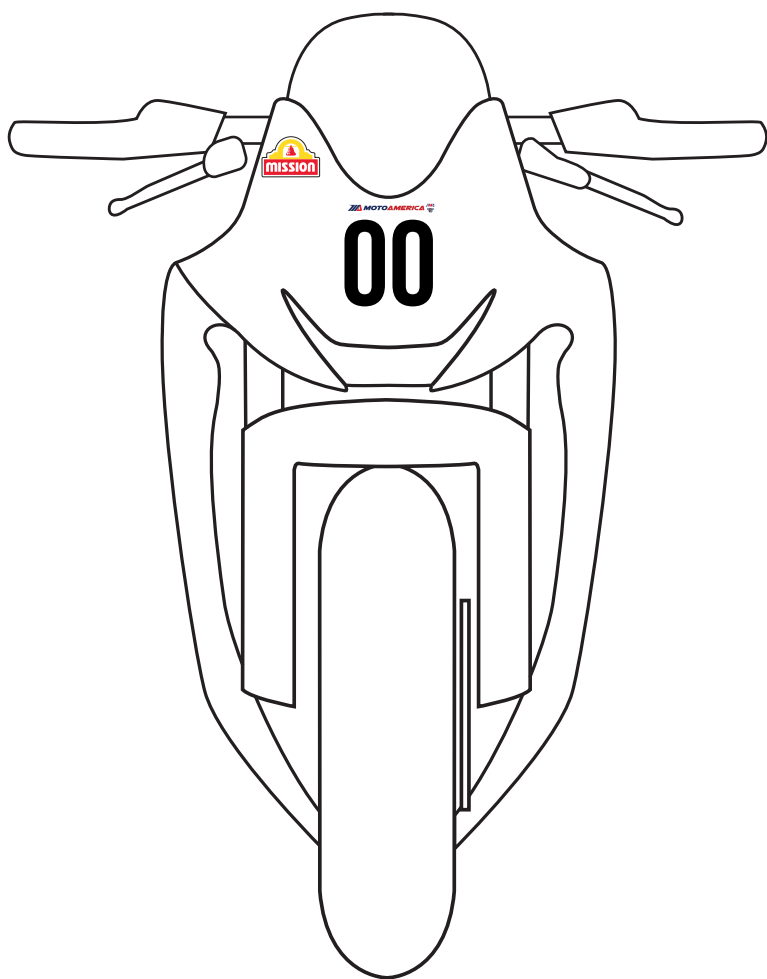


2023 SEASON

**NUMBER AND MOTORCYCLE LOGO GUIDELINE
MINICUP COMPETITOR BULLETIN 05-2023**

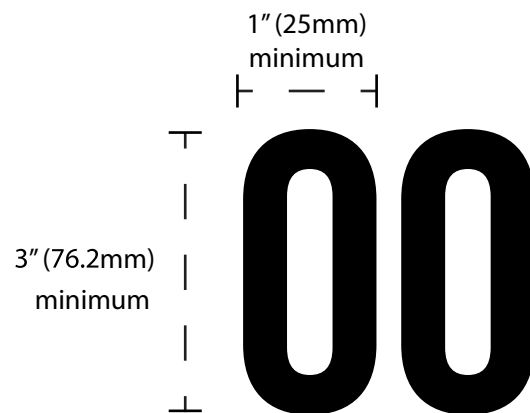
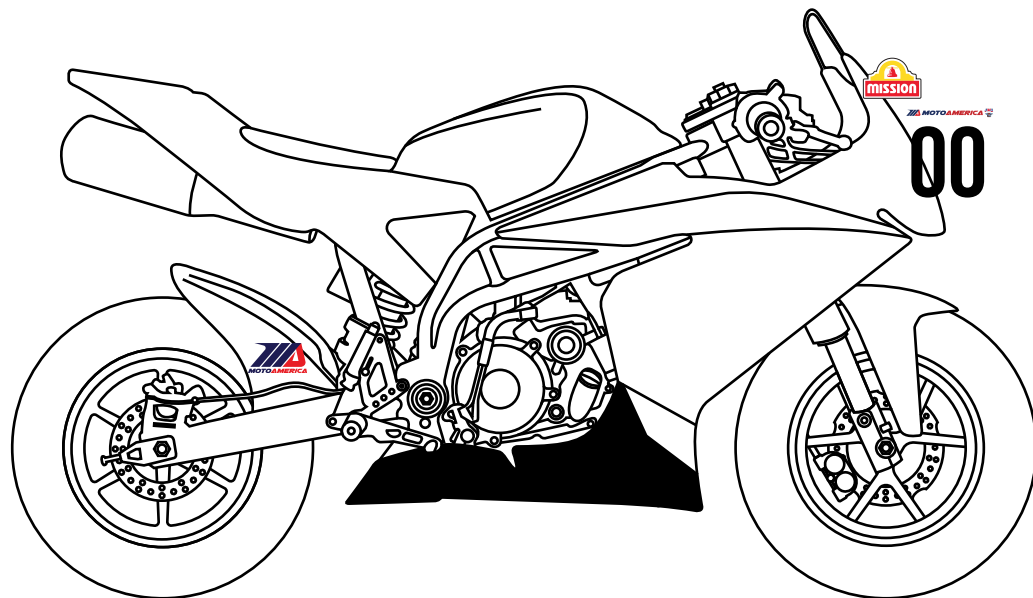
Saturday Ohvale





* minimum stroke is 0.75" (20mm)
** minimum space between numbers is 0.40" (10mm)

NUMBER AND MOTORCYCLE LOGO GUIDELINE - MINI CUP



* minimum stroke is 0.75" (20mm)
** minimum space between numbers is 0.40" (10mm)

